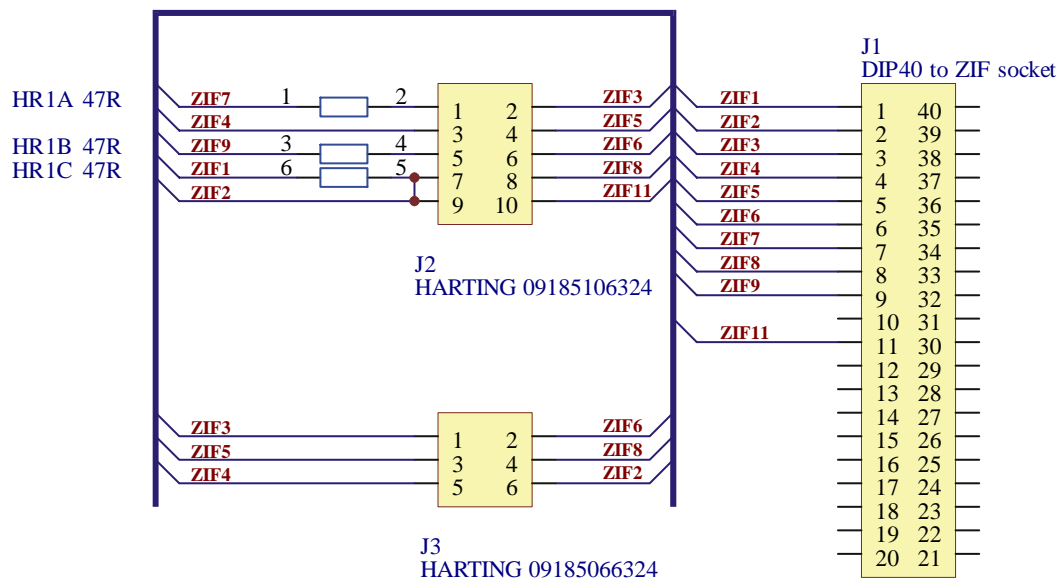




Diagnostic POD for ISP connectors

Diagnostic POD for ISP connectors is necessary to use for testing 6 and 10-pin ISP connectors of programmers. Diagnostic POD for ISP connectors is available as optional accessory for ISP-capable programmers. The order number: 70-0208.

Schematics of Diagnostic POD for ISP connectors:



Sequence for testing 6 pins ISP connector:

- Insert Diagnostic POD for ISP connectors into ZIF socket of the programmer. Diagnostic POD must be inserted as 40 pins device.
- Interconnect 6 pins connector of Diagnostic POD with an ISP connector of the programmer with an ISP cable, included in programmer delivery package. Be sure that pins are interconnected properly (i.e. 1-1, 2-2, ..., 6-6).
- Run selftest of ISP connector in PG4UW (Programmer / Selftest ISP connector).

Sequence for testing 10 pins ISP connector:

- Insert Diagnostic POD for ISP connectors into ZIF socket of the programmer. Diagnostic POD must be inserted as 40 pins device.
- Interconnect 10 pins connector of Diagnostic POD with an ISP connector of the programmer with an ISP cable, included in delivery programmer package. Be sure that pins are interconnected properly (i.e. 1-1, 2-2, ..., 10-10).
- Run selftest of ISP connector in PG4UW (Programmer / Selftest ISP connector).

For optimal results with programmer we recommend you undertake every 6 months.